

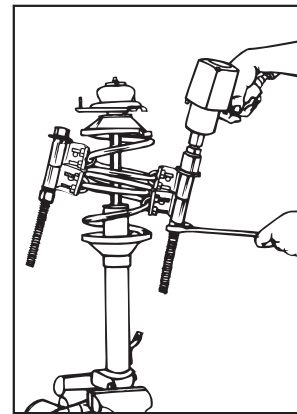
MACPHERSON STRUT TOOL

Safe - Strong - Universal. Easy to use.

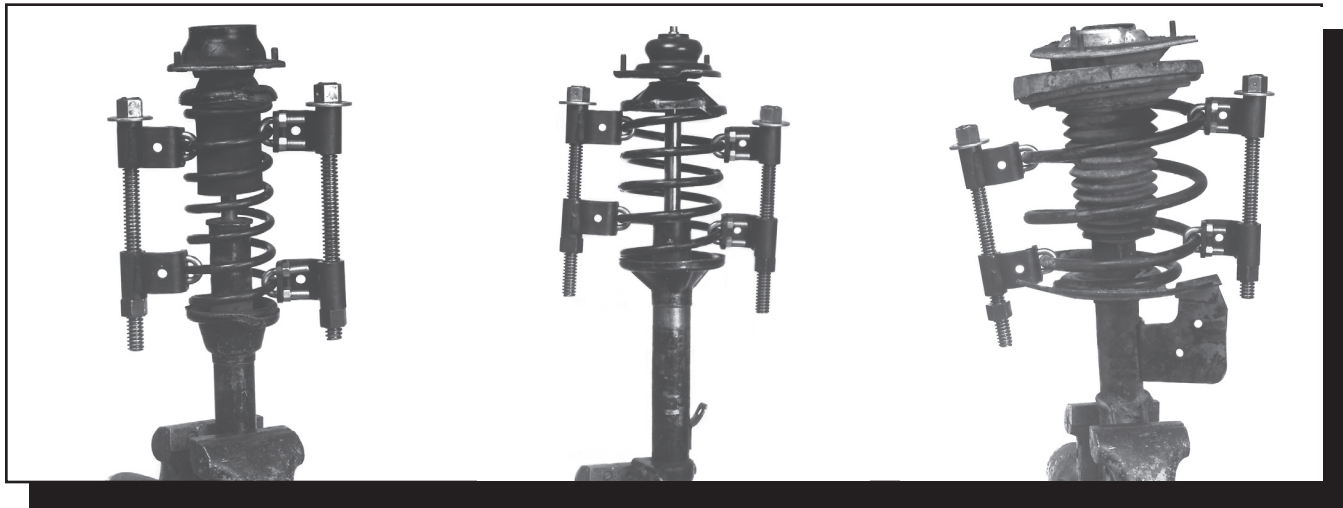


For MacPherson Strut Springs Only.

This inexpensive MacPherson Strut Spring Compressor quickly compresses all types of springs for strut service or replacement. This tool is not intended for spring replacement.



| | |
|---|---|
| ⚠ WARNING: Wear eye and ear protection. | ⚠ WARNING: Springs are dangerous. Follow instructions! For MacPherson struts only. Important: Keep instructions with tool. |
|---|---|



Small Import

Standard Spring

GM "C" Spring

INSTRUCTIONS:

Step 1 - If springs are epoxy coated, wrap with plastic tape to protect from abrasion while servicing. Tape should cover coils where the spring hooks are fastened.

Step 2 - Clamp one left and right hook assembly on each side of the spring with bolts and nuts, opposite each other. Make sure hook assemblies are as far apart on the spring as possible. Do not tighten yet.

Step 3 - Next install large bolt with washer and nut through the hook assemblies. Now tighten hook assemblies to spring.

Step 4 - Now lubricate large bolt. The tool should now be on the spring ready to compress, see **Figure 1**.

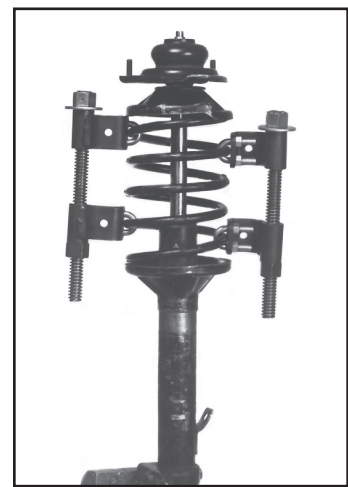


Figure 1

Step 5 - Using an impact wrench compress the spring by alternately turning down the two bolts. It is very important to keep tension on both sides of spring to avoid "cocking" the spring, see **Figure 2**.

Step 6 - Compress spring until the spring is free from the spring saddle. Note it is not necessary to compress the spring completely, see **Figure 3**.



Figure 2

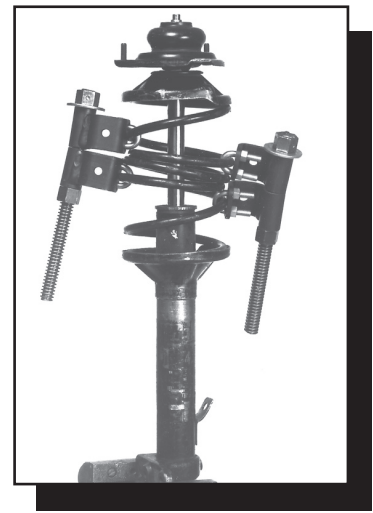


Figure 3

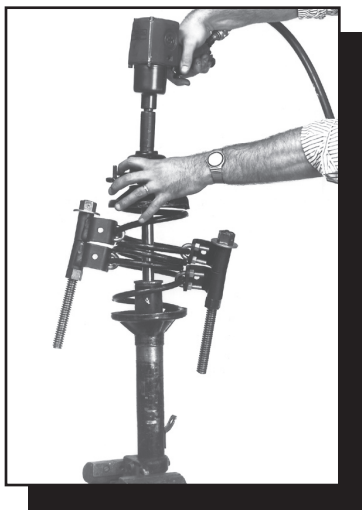


Figure 4

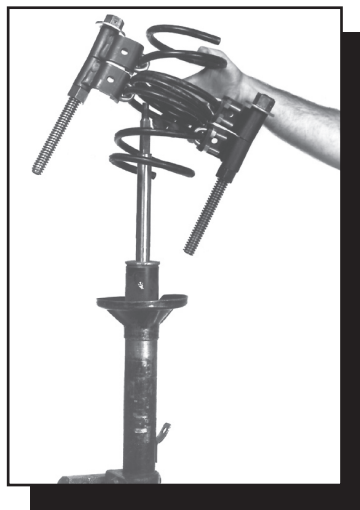


Figure 5

Step 7 - Remove the nut at the top of the strut assembly, see **Figure 4**.

Step 8 - Now remove the saddle and boot from the top of spring for servicing or replacing the shock, see **Figure 5**.

Step 9 - To assemble, reverse above procedure.

REPLACEMENT PARTS:

- A. Right Hook Assembly (2)
- B. Left Hook Assembly (2)
- C. Bolt (2)
- D. Washer (2)
- E. Large Hex Nut (2)
- F. U-Bolt (4)
- G. Small Hex Nut (8)

